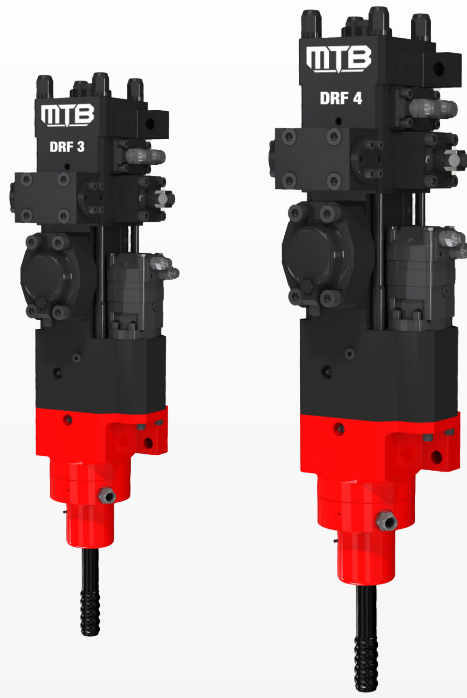




BREAKERS & ATTACHMENTS

DRIFTER MODEL

DRF 3-II
DRF 4

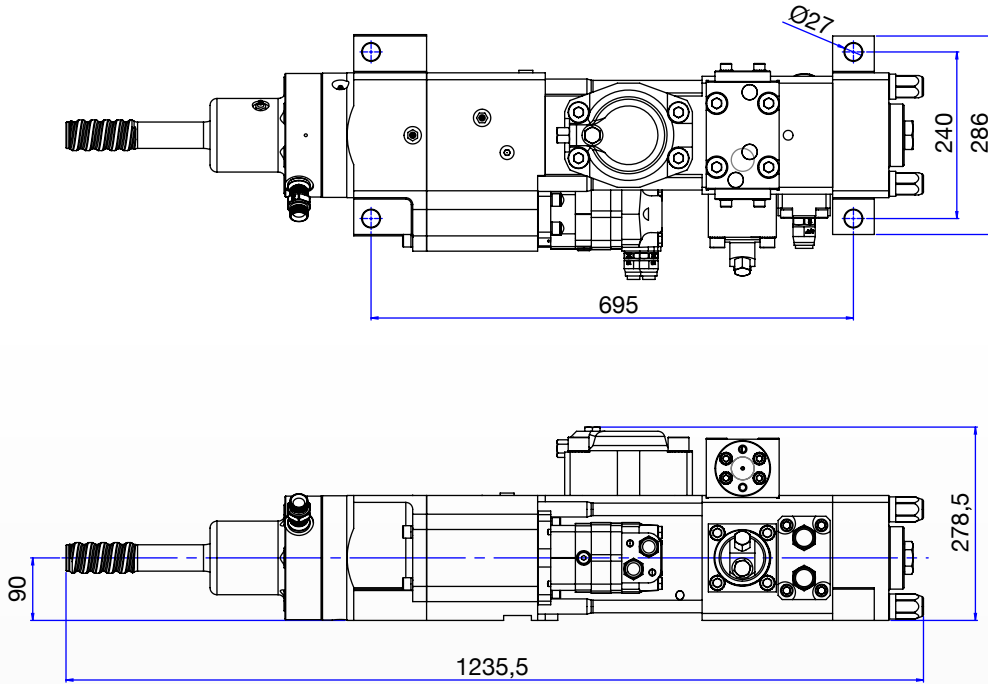


MTB DRIFTER (DRF SERIES)

DRF hydraulic drifters were designed to make holes in rock surfaces. They make holes in the surface by using rotation and percussion force at the same time. The dust that forms during operation is ejected with the compressor line of the carrier machine. DRF hydraulic drifters consist of a pneumatic body, rotation and percussion mechanism. Impact efficiency was improved by increasing the impact frequency, this extends the lifetime of the components dramatically. An automatic pressure regulator is used to adjust pressure to meet various rock properties. DRF hydraulic drifters are used for drilling holes for pre-explosion preparations in mines and mounting steel constructions in tunnels.



TECHNICAL INFORMATION



| TECHNICAL INFORMATION | | | DRF 3-II | DRF 4 |
|---|--------------------|---------------------|---------------|-----------|
| Weight | | Kg | 210 | 214 |
| External dimensions | Length | mm | 920 | 931 |
| | Width | mm | 340 | 340 |
| | Height | mm | 325 | 325 |
| Impact device | Number of blows | impact/cm | 2500-2800 | 2500-2800 |
| | Single blow energy | kgf/cm | 34 | 34 |
| | Oil flow | lt/min | 75-90 | 75-90 |
| | Working pressure | kgf/cm ² | 130-160 | 130-160 |
| Gas pressure in accumulator (20°C) | High pressure | kgf/cm ² | 47±3 | 47±3 |
| | Low pressure | kgf/cm ² | 4±1 | 4±1 |
| | Gas | - | AZOT | AZOT |
| Rotation device | Revolution | rpm | 0~220 | 0~115 |
| | Torque | kgf.m | MAKS. 60 | MAKS. 100 |
| | Yağ debisi | lt/min | 70 | 75 |
| | Oil flow | kgf/cm ² | MAKS. 140 | MAKS. 190 |
| Air consumption at 7kgf/cm ² | 1 1/2" 38mm ROD | m ³ /min | 4 | |
| | 1 3/4" 45mm ROD | m ³ /min | 6.5 | 6.5 |
| | 2" 51mm ROD | m ³ /min | | 10 |
| Working temperature | Air flushing | C° | +20~+40 | +20~+40 |
| | Hydraulic oil | | +40~+60 | +40~+60 |
| Drilling diameter | | mm | 64~102 | 76~115 |
| Shank adapter thread | | - | T38, R38, T45 | T45, T51 |

Rev. 100725



Factory

Bahçelievler OSB Mh. 11. Cd. No: 4A
59510 Kapaklı / Tekirdağ - TURKEY
+90 282 768 25 00
www.mtbbreakers.com - info@inanmakina.com



WARNING! The visuals and the information in this brochure are standard or optional depending on the version of the product.

İNAN MAKİNA A.Ş. saves the right to modify the values and designs shown in this brochure without notice.