



**BREAKERS & ATTACHMENTS**

**DEMOLITION CRUSHER MODEL**

**DCR 10**



## **MTB DEMOLITION ATTACHMENTS**

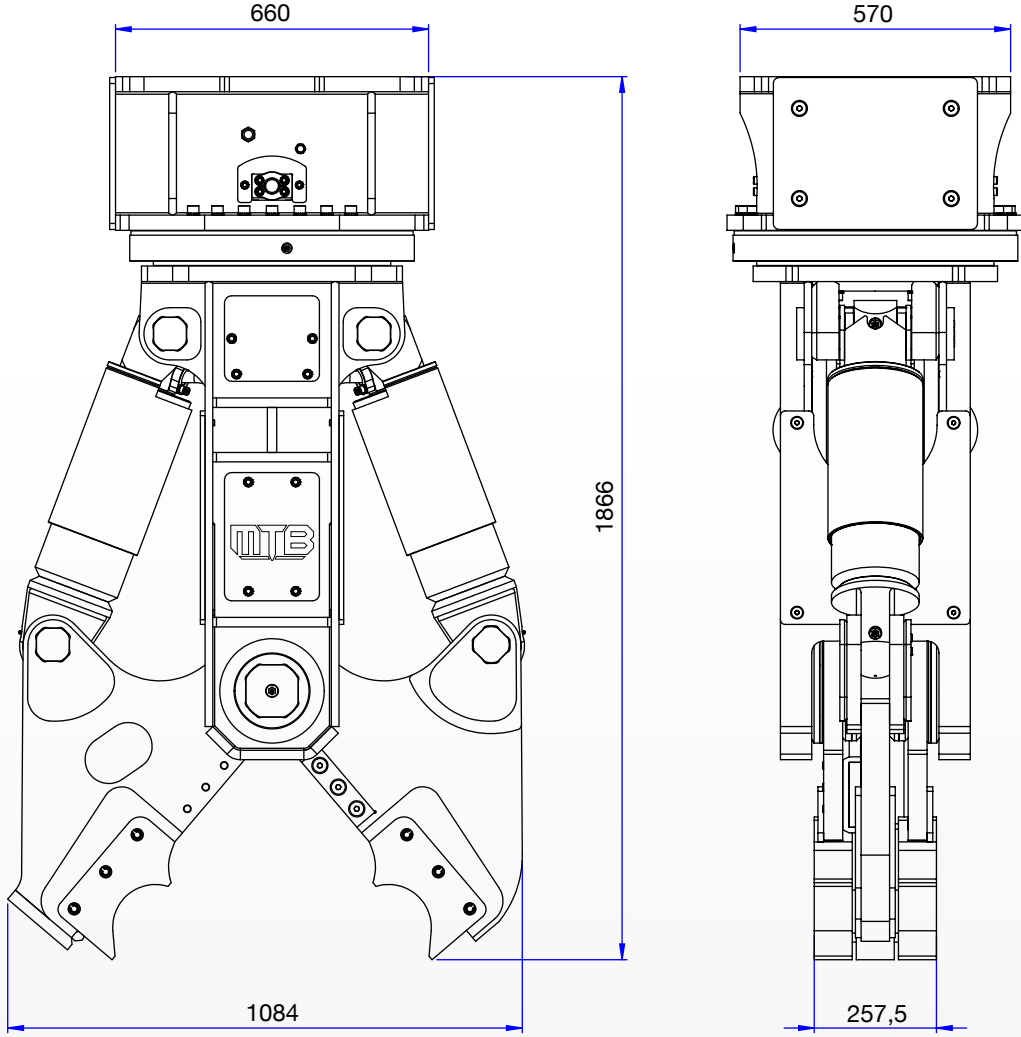
MTB Demolition Attachments are used for primary and secondary concrete demolition. There is a wide range of MTB Attachments for different demolition applications.

## **DEMOLITION CRUSHER - DCR**

Their jaw design is a combination of concrete cutters and concrete crusher jaws. The upper jaw can cut concrete and the lower jaw can crush concrete. The blades on the deeper part of the jaws can easily cut iron. They are suitable for the primary and secondary demolition operations of concrete structures. Demolition crushers also have a 360° rotation system that lets the user to operate at all angles and positions.



# TECHNICAL INFORMATION



## DCR 10

Working weight	kg	1380 - 1650
Oil flow (Cylinder)	lpm	160 - 180
Pressure (Cylinder)	bar	350
Oil flow (Rotation)	lpm	20 - 40
Pressure (Rotation)	bar	150 - 160
Crushing force (Jaw tip)	t	60
Cutting force	t	200
Jaw opening	mm	670
Jaw depth	mm	525
Cutter length	mm	180
Overall length	mm	1866
Carrier weight	t	14 - 20

Rev. 01.03.24



### Factory

Bahçelievler OSB Mh. 11. Cd. No: 4A  
59510 Kapaklı / Tekirdağ - TURKEY  
+90 282 768 25 00  
www.mtbbreakers.com - info@inanmakina.com



**WARNING!** The visuals and the information in this brochure are standard or optional depending on the version of the product.

İNAN MAKİNA A.Ş. saves the right to modify the values and designs shown in this brochure without notice.